

# Schäffer Lader

***THE COMPACT CLASS***

**2020 | 2022 | 2024  
2026 | 2033**



**Superiority in  
compact format**

## YARD LOADERS, WHEEL LOADERS AND TELESCOPIC LOADERS ...

from 14 kW (20 HP) to 115 kW (156 HP). We have been developing loaders for individual requirements for almost 50 years. The satisfaction of our customers has made us what we are today: one of the most competitive and most successful suppliers of yard loaders, wheel loaders and telescopic loaders. Every day our employees create new, custom-tailored solutions. Every SCHÄFFER LOADER is the result of a synthesis between many years of experience and an innovative development spirit. Our products set standards in terms of maximum reliability and durability. With lower costs throughout the entire service life. With even more performance, safety and comfort for years to come.

*made by SCHÄFFER*



## THE SCHÄFFER COMPACT CLASS: SUPERIORITY IN COMPACT FORMAT

The compact class is one of the most successful series ever built by SCHÄFFER. They have been specifically developed for use in confined spaces. No compromises were, however, made as regards reliability and ergonomics. In line with all other SCHÄFFER models, the machines of the compact class stand for excellent safety and low operating costs.

They thus meet the requirements of users in agriculture, manufacture, horticulture, landscape gardening and the equestrian sector as well as in the building industry. A wide range of auxiliary equipment and attachments made the machines extremely versatile.

### THE COMPACT CLASS

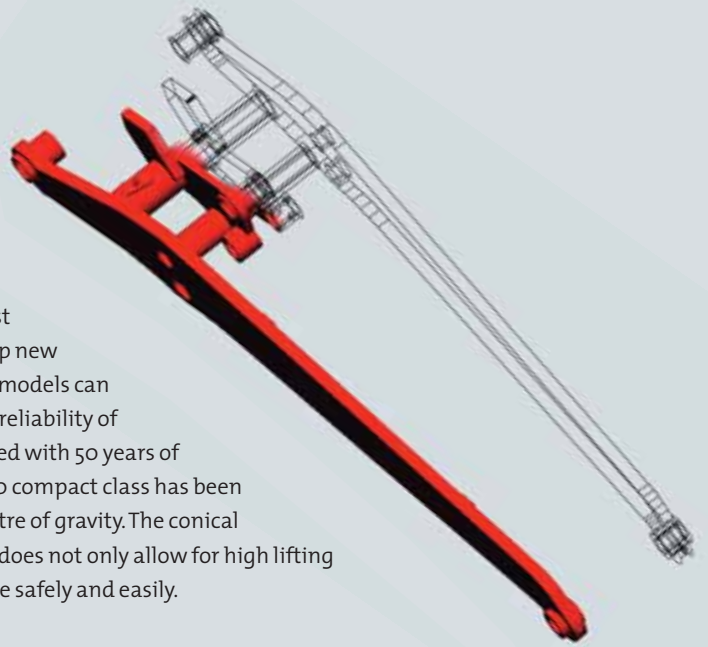
<b>2020</b>	14,7 kW (20 HP)	<b>2022</b>	16 kW (22 HP)
<b>2024 S</b>	19 kW (26 HP)	<b>2026</b>	19 kW (26 HP)
<b>2026 S</b>	24 kW (33 HP)	<b>2033</b>	24 kW (33 HP)
<b>2033 S</b>	26,5 kW (36 HP)		



# Schäffer Lader

## STATE-OF-THE-ART DESIGN

In the design and manufacture of its loaders, SCHÄFFER uses the latest technology. Three-dimensional CAD enables our engineers to develop new components in a most efficient and reliable manner. New parts and models can be tested on the computer before they are even built. The unrivalled reliability of SCHÄFFER loaders is not least the result of latest technology combined with 50 years of experience in the production of loaders. The loader beam of the 2000 compact class has been designed to allow for maximum lifting power at lowest possible centre of gravity. The conical shape ensures that the driver can at all times see the tool. The beam does not only allow for high lifting heights but also great reach, so that you can move greater loads more safely and easily.



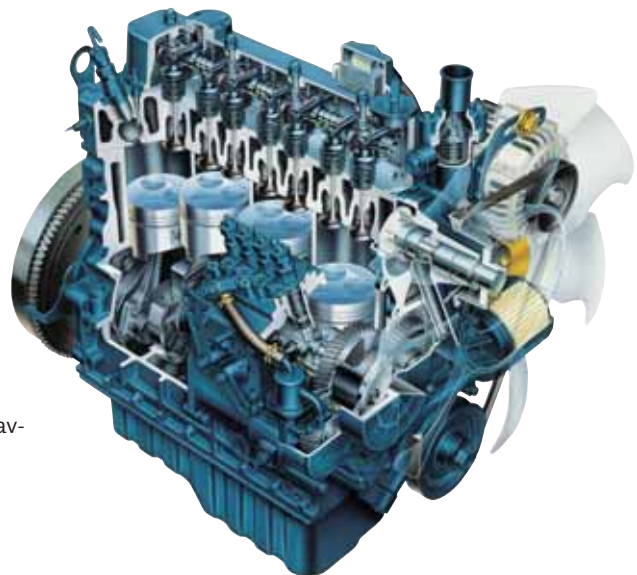


## SCHÄFFER AXLES – FOR GREATER SAFETY AND STABILITY

All machines of the 2000 compact class are equipped with SCHÄFFER axles that are the result of many years of experience in the manufacture of loaders. The axles of the loader are optimised to suit its applications and loads. The axles of the 2033 model are even used in machines of larger classes and stand for the unrivalled quality of equipment *MADE BY Schaffer*.

## GREAT POWERS AT WORK ...

KUBOTA is the world's leading manufacturer of compact diesel engines. The engines built into the latest generation of SCHÄFFER loaders consume even less fuel, and their fume and soot emissions were also reduced. Noise is also not an issue, as the modern GRP bonnet does not only look great but effectively reduces the noise of the engine. Mechanics and drivers will be pleased to know that they can now replace the oil filter without having to strain their fingers.



## LOOKING FOR SOMETHING SPECIAL? WE HAVE IT.

The articulated joint is not only maintenance-free but also virtually indestructible. That is why we offer you a warranty for this component of 3 years or 3000 operating hours, thus making your investment even safer.

# TECHNICAL DATA



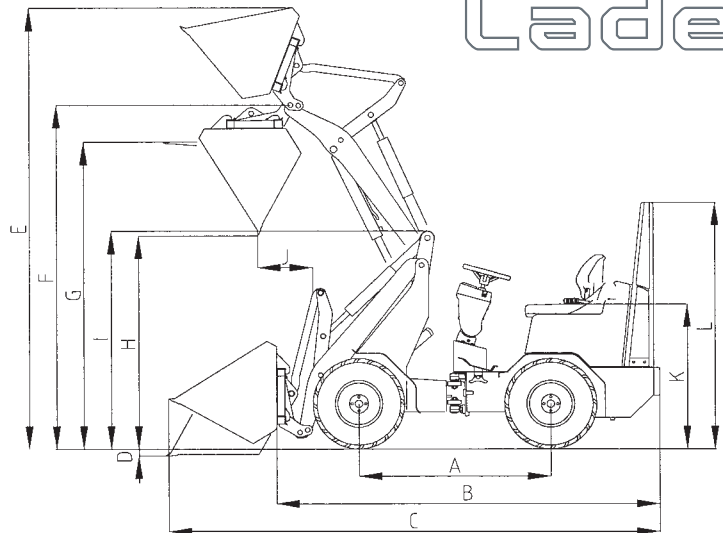
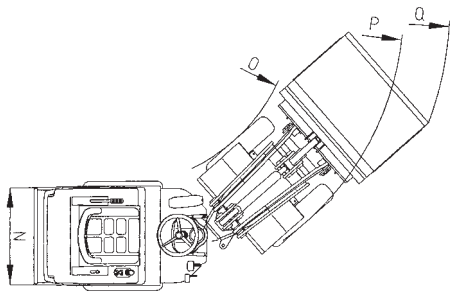
Option:  
Operator's protective roof offering  
protection from falling objects

	2020	2022	2024 S	2026 / S		2033 / S	
<b>Engine</b>	3-cylinder Kubota 14.7 kW (20 HP)	3-cyl. Kubota 16 kW (22 HP)	3-cyl. Kubota 19 kW (26 HP)	3-cyl. Kubota 19 kW (26 HP)	3-cyl. Kubota 24 kW (33 HP)	3-cyl. Kubota 24 kW (33 HP)	3-cyl. Kubota 26.5 kW (36 HP)
<b>Driving hydraulics</b>	Hydraulic, pump output: 60 l/min Working pressure: 200 bar	Hydraulic, pump output: 70 l/min Working pressure: 200 bar	Hydraulic, pump output: 75 l/min Working pressure: 200 bar	Hydrostatic, pump output: 90 l/min Working pressure: 300 bar		Hydrostatic, pump output: 135 l/min Working pressure: 350 bar	
<b>Tyres</b>	7.00-12 AS Option I 27x8.50-15 Option II 27x10.5-15	7.00-12 AS Option I 27x8.50-15 Option II 27x10.5-15	7.00-12 AS Option I 27x8.50-15 Option II 27x10.5-15	7.00-12 AS Option I 27x8.50-15 Option II 27x10.5-15		10.075 - 15.3 AS Option I 27x10.5-15 Option II 31x15.5-15	
<b>Service brake</b>	Hydrostatic	Hydrostatic	Hydrostatic	Hydrostatic		Hydrostatic	
<b>Parking brake</b>	Mechanical drum brake	Mechanical drum brake	Mechanical drum brake	Mechanical drum brake		Oil-immersed multi-disc brake	
<b>Working hydraulics</b>	Pump output: 30 l/min	Pump output: 30 l/min	Pump output: 33 l/min	Pump output: 33 l/min		Pump output: 42 l/min	
<b>Steering hydraulics</b>	Working pressure: 180 bar	Working pressure: 200 bar	Working pressure: 200 bar	Working pressure: 200 bar		Working pressure: 200 bar	
<b>Steering</b>	Fully hydraulic articulated steering system	Fully hydraulic articulated steering system	Fully hydraulic articulated steering system	Fully hydraulic articulated steering system		Fully hydraulic articulated steering system	
<b>Lifting capacity</b>	1,200 kg	1,500 kg	1,500 kg	1,500 kg		1,600 kg	
<b>Tipping load (straight)</b>	750 kg	890 kg	900 kg	920 kg		1,000 kg	
<b>Tipping load (articulated)</b>	350 kg	500 kg	500 kg	550 kg		720 kg	
<b>Axles</b>	Original Schäffer axles	Original Schäffer axles	Original Schäffer axles	Original Schäffer axles		Original Schäffer axles Option: limited-slip differential	
<b>Working weight</b>	1,400 kg	1,500 kg	1,650 kg	1,750 kg/1,950 kg with cab*		1,880 kg/2,080 kg with cab	
<b>Speed</b>	0 - 12 km/h	0 - 12 km/h	0 - 12 km/h	0 - 15 km/h		0 - 15 km/h Option: 0 - 20 km/h	
<b>Electrical system</b>	Operating voltage 12 V	Operating voltage 12 V	Operating voltage 12 V	Operating voltage 12 V		Operating voltage 12 V	
<b>Tank capacities</b>	Fuel: 18 l Hydraulic fluid: 26 l	Fuel: 23 l Hydraulic fluid: 30 l	Fuel: 23 l Hydraulic fluid: 30 l	Fuel: 23 l Hydraulic fluid: 30 l		Fuel: 26 l Hydraulic fluid: 33 l	

\* only for model 2026 S



## DIMENSIONS



		2020	2022	2024	2026	2033
<b>A</b>	Axle base [mm]	1.375	1.375	1.375	1.375	1.410
<b>B</b>	Chassis length [mm]	2.600	2.780	2.780	2.780	2.930
<b>C</b>	Total length with standard bucket [mm]	3.330	3.530	3.530	3.530	3.610
<b>D</b>	Excavating depth [mm]	120	110	110	110	110
<b>E</b>	Max. working height [mm]	3.180	3.460/3.720*	3.460/3.720*	3.460/3.720*	3.540/3.770*
<b>F</b>	Max. bucket pivot point [mm]	2.470	2.800/3.060*	2.800/3.060*	2.800/3.060*	2.880/3.110*
<b>G</b>	Max. loading height with pallet fork [mm]	2.335	2.560/2.920*	2.560/2.920*	2.560/2.920*	2.640 / 2.970*
<b>H</b>	Max. dump height [mm]	1.710	1.965/2.265*	1.965/2.265*	1.965/2.265*	2.045/ 2.30*
<b>I</b>	Front end height [mm]	1.540	1.600/1.725*	1.600/1.725*	1.600/1.725*	1.680/1.780*
<b>J</b>	Dump range [mm]	580	440	440	440	440
<b>K</b>	Seat height [mm]	1.020	1.055	1.055	1.055	1.160
<b>L</b>	Rollover bar height [mm]	1.830	1.770	1.770	1.770	1.800
	Height ROPS-Bar/ folded [mm]	-	2.150/1.775	2.150/1.775	2.150/1.775	2.250/1.875
	Height with protective roof [mm]	2.040	2.040	2.040	2.040	2.135
	Cab height [mm]	-	-	-	2.090	2.140
<b>N</b>	Total width [mm]	790 – 1.090	885 – 1.090	885 – 1.090	885 – 1.090	940 – 1.290
<b>O</b>	Track arc inside [mm]	530	550	550	550	580
<b>P</b>	Track arc outside [mm]	1.320	1.480	1.480	1.480	1.600
<b>Q</b>	External radius with standard bucket [mm]	1.800	1.950	1.950	1.950	1.950

\* with max. lifting height





The manner in which SCHÄFFER loaders are developed, manufactured and serviced is simply unique. The difference is due to our 50 years of experience. First we think of the operator, because we want to make his job safer, more convenient and more profitable. That is why we use state-of-the-art development and manufacturing technologies at our plant in Erwitte. In the end, however, our employees are the ones who are in close contact with the end user and repeatedly come up with new solutions. Long years of employment with the company, together with an inexhaustible research spirit, form the basis for our special competence and our continued success.

The name SCHÄFFER means much more than unrivalled product quality. It also stands for safety and optimum service, which we guarantee not only in Germany, but also throughout Europe and around the world.

The purchase of a SCHÄFFER loader is the beginning of a long-term relationship. Your machine will remain a 100 % authentic SCHÄFFER only with original replacement parts. Only then are you guaranteed the operational reliability that you need and rightly expect. We offer you and our service partners 24-hour delivery service – 7 days a week, 365 days a year. That, too, is the meaning of ....

*made by SCHÄFFER*

SCHÄFFER offers you a product range of nearly 40 different models that can be individually adjusted to suit your needs. The areas of application for our loaders are diverse: for agriculture, construction, horticulture and landscaping, industry and trade, horse keeping or warehouse management – SCHÄFFER is always the first choice.



# Schaeffer Lader

Your dealer:

SCHÄFFER MASCHINENFABRIK GMBH  
Postfach 10 67 | D-59597 Erwitte  
Phone +49 02943 9709-0  
Fax +49 02943 9709-50  
info@schaeffler-lader.de  
www.schaeffler-lader.de